

# Special Panel Meters

## LED-Switch Position Indicator for Direct Voltage and Alternating Voltage 45...65 Hz

Front frame gloss black



ST 1-LED

### Technical Data

Front Dimensions mm Type	25 x 25 STQ 1-LED	∅ 25 ST 1-LED
Weight approx. (kg)	0,07	0,07
Operating Voltage	300 V	300 V
Test Voltage	3,5 kV	3,5 kV
Front Housing - Panel Protection	IP 52	IP 52
Fasteners	round nut	round nut

### Description

Switch position indicator for remote indication of contact positions at power plants and switching stations. Can also be used advantageously as an indicator in mimic diagrams.

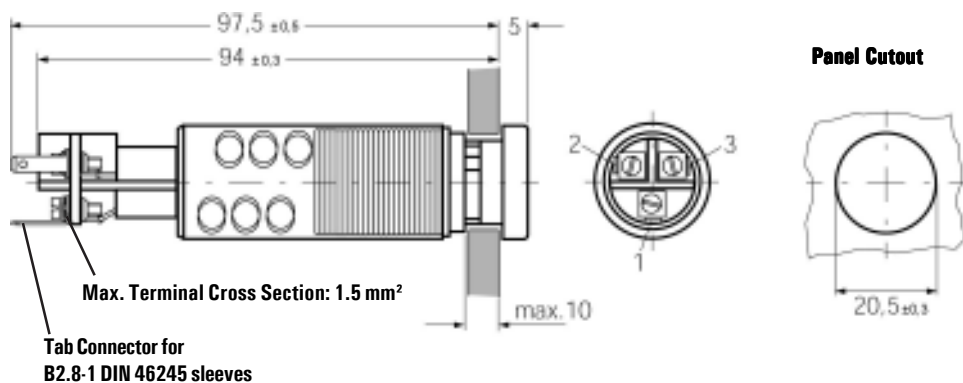
### Front Panel Dimensions



### Mechanical Design

Housing Material Polycarbonate  
 Terminals tab connectors, 2.8 x 0.8  
 Contact Protection available as option

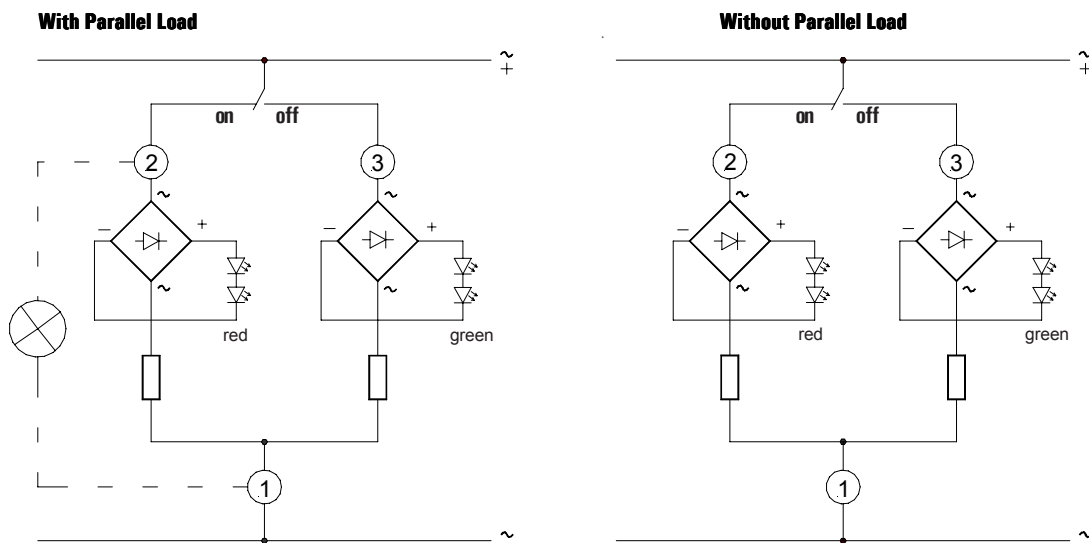
### Basic Dimensions



# Special Panel Meters

## LED-Switch Position Indicator for Direct Voltage and Alternating Voltage 45...65 Hz

### Schematic Diagrams for Direct- and Alternating Voltage



**Type**  
**Front Dimension mm**

**STQ 1-LED**  
**25 x 25**

**ST 1-LED**  
**Ø 25**

**1108 BC LED**  
**Order No.**

**1280 BC LED**  
**Order No.**

**Direct Voltage:**

24 V AC/DC  
48 V AC/DC  
60 V AC/DC  
110 V AC/DC  
125 V AC/DC  
220/230 V AC/DC

IL824  
IL848  
IL860  
IL811  
IL812  
IL826

IL824  
IL848  
IL860  
IL811  
IL812  
IL826

**Movement Variants:**

without parallel load (standard)  
with parallel load

INH002  
INH001

INH002  
INH001

**Front Plate:**

black (standard)  
white

NF099  
NF001

NF099  
NF001

**Symbols:**

cross symbol  
interruption symbol  
earthing symbol

RS099  
RS001  
RS002

RS099  
RS001  
RS002

**LED - Colours:**

LED red / green

PE099

PE099

**Cross symbol only:**

- LED yellow / yellow  
- LED green / green  
- LED red / red

PE001  
PE002  
PE003

PE001  
PE002  
PE003

other colours on request

**Housing Variants:**

standard  
tropicalized  
without contact protection (standard)  
full contact protection

LB099  
LB001  
VB099  
VB002

LB099  
LB001  
VB099  
VB002