

EASK 176.3

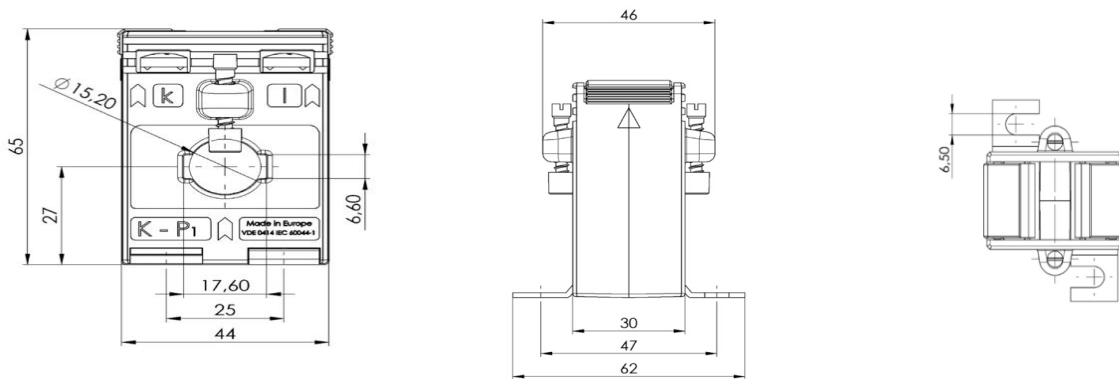
Plug-in current transformer for tariff applications

Plug-in current transformer for primary nominal currents from 150 A up to 250 A, secondary nominal current 5 A or 1 A, accuracy class 0.5, PTB Braunschweig certificated for tariff application.



Dimensions:

Bus bar 1: 17 x 6 mm
Round conductor: 15,2 mm
Width: 44 mm
Height: 65 mm
Depth: 46 mm



Technical details:

Therm. nominal continuous current I_{cth} : 1,2 x I_N
Therm. nominal short-time current I_{th} : 60 x I_N , 1 sec.
Max. operating voltage U_m : 0,72 kV
Isolation test voltage: 3 kV, U_{eff} , 50 Hz, 1 min.
Nominal rated frequency: 50 Hz
Isolation class: E

Further information:

Over-current limiting factor: See rating plate
Working temperature range: $-5^{\circ}\text{C} < T < +40^{\circ}\text{C}$
Storage temperature range: $-25^{\circ}\text{C} < T < +40^{\circ}\text{C}$
Unbreakable plastic housing made of black polycarbonate:
Flame resistant, ultrasonically welded
Nickel-plated secondary terminals with plus-minus
nickel-plated screws: M5x10mm
Secondary caps: integrated
Package quantity: 1 pcs.
Custom tariff number: 85043129

GMW Contact:

www.g-mw.de
info@g-mw.de

Phone: +49/9103 7129-0
Fax: +49/9103 7129-205/207