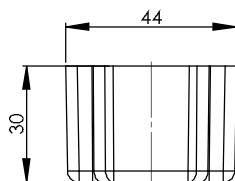
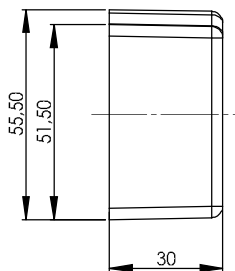
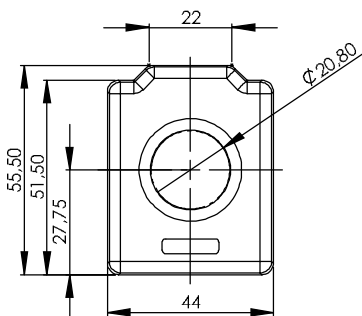


ASG 210.3

Tube current transformer, resin hardened



Round conductor 20,8 mm
 Transformer width 44 mm
 Height 55,5 mm
 Depth 30 mm



Primary current [A]	Burden [VA]	Secondary current [A] / Class	
		5 A Cl. 1 Art.-no.	1 A Cl. 1 Art.-no.
60	1	10027501	10027601
	1,25		10027602
75	1,25	10027503	10027603
	1,5	10027504	10027604
80	1,25	10027505	10027605
	1,5	10027506	10027606
100	1,5	10027507	10027607
	2,5	10027508	10027608
125	1,5	10027509	10027609
	2,5	10027510	10027610
150	1,5	10027512	10027612
	2,5	10027513	10027613
	3,75	10027514	10027614
200	1,5	10027515	10027615
	2,5	10027516	10027616
	3,75	10027527	10027627
	5		10027617
250	2,5	10027518	10027618
	3,75	10027528	10027628
	5	10027519	10027619
300	2,5	10027521	10027621
	5	10027522	10027622
	7,5		10027623

		Art.-no.
	Snap-on mounting	-
	Sealed shutter	-

- Connection cable 2,5 mm², 400 mm long (standard)
- The ends of the cables are equipped with ferrules.