

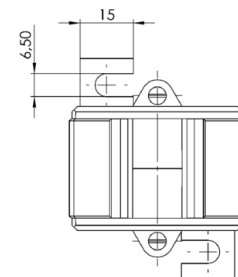
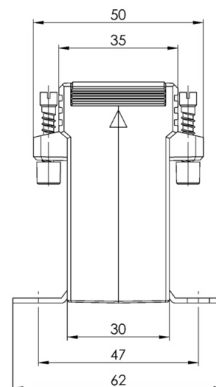
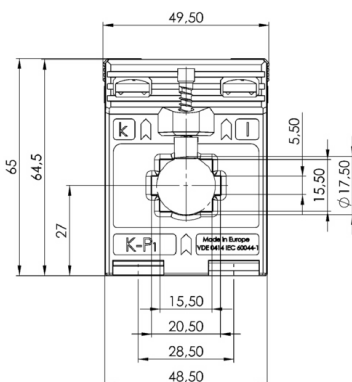
## ASK 205.3 Plug-in current transformer

Plug-in current transformer for primary nominal currents from 60 A up to 400 A, secondary nominal current 5 A or 1 A (optional 2 A), accuracy class 1.



### Dimensions:

Bus bar 1: 20 x 5 mm  
Round conductor: 17,5 mm  
Width: 49,5 mm  
Height: 65 mm  
Depth: 50 mm



### Technical details:

Therm. Nenndauerstrom  $I_{cth}$ :  $1,0 \times I_N$   
Therm. Nennkurzzeitstrom  $I_{th}$ :  $60 \times I_N$ , 1 Sek.  
Max. Betriebsspannung  $U_m$ : 0,72 kV  
Isolationsprüfspannung: 3 kV,  $U_{eff}$ , 50 Hz, 1 Min.  
Nenn-Frequenz: 50 Hz  
Isolierstoffklasse: E

### Further information:

Over-current limiting factor: See rating plate  
Working temperature range:  $-5^\circ\text{C} < T < +40^\circ\text{C}$   
Storage temperature range:  $-25^\circ\text{C} < T < +40^\circ\text{C}$   
Unbreakable plastic housing made of black polycarbonate:  
Flame resistant, ultrasonically welded  
Nickel-plated secondary terminals with plus-minus nickel-plated screws:  
M5x10mm  
Secondary caps: integrated  
Package quantity: 1 pcs.  
Custom tariff number: 85043129

### GMW Contact:

[www.g-mw.de](http://www.g-mw.de)  
[info@g-mw.de](mailto:info@g-mw.de)

Phone: +49/9103 7129-0  
Fax: +49/9103 7129-205/207