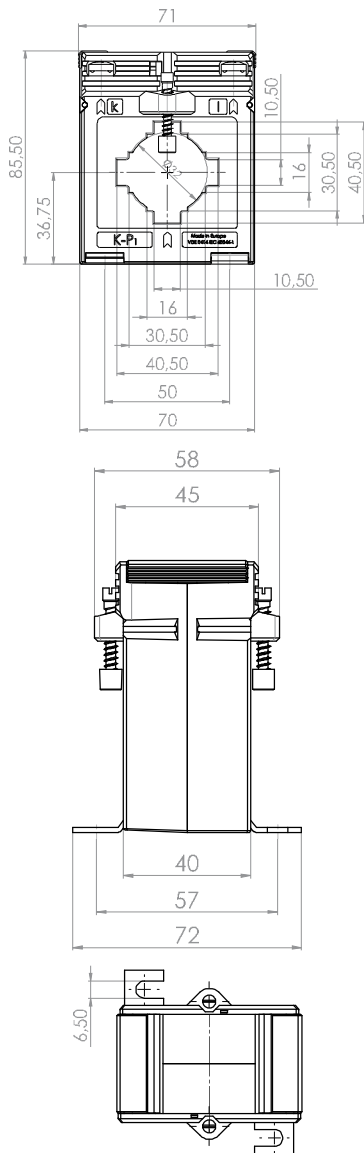


ASK 41.4 2U

Plug-in current transformer, secondary reconnectable



Bus bar 1 40 x 10 mm
 Bus bar 2 2 x 30 x 5 mm
 Round conductor 32 mm
 Transformer width 71 mm
 Height 85,5 mm
 Depth 58 mm



Primary current [A]	Burden [VA]	Secondary current [A] / Class	
		5 A Cl. 1 Art.-no.	1 A Cl. 1 Art.-no.
200-100	5-2,5	10013133	10013333
300-150	5-2,5	10013134	10013334
	10-5	10013135	10013335
400-200	5-2,5	10013136	10013336
	10-5	10013137	10013337
500-250	5-2,5	10013138	10013338
	10-5	10013139	10013339
600-300	5-2,5	10013140	10013340
	10-5	10013141	10013341
800-400	5-2,5	10013142	10013342
	10-5	10013143	10013343
	15-7,5	10013144	10013344
1000-500	5-2,5	10013145	10013345
	10-5	10013146	10013346
	15-7,5	10013147	10013347

ASK 41.4 3U

Plug-in current transformer, secondary reconnectable

Primary current [A]	Burden [VA]	Secondary current [A] / Class	
		5 A Cl. 1 Art.-no.	1 A Cl. 1 Art.-no.
400-200-100	10-5-2,5	10013163	10013363
600-300-150	10-5-2,5	10013164	10013364
800-400-200	10-5-2,5	10013165	10013365
1000-500-250	10-5-2,5	10013166	10013366
	15-7,5-2,5	10013167	10013367

		Art.-no.
	Snap-on mounting, type D	10055012
	Sealed shutter, type B	10059041