

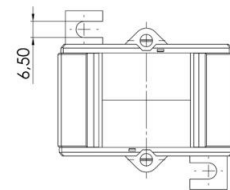
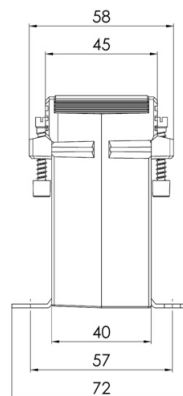
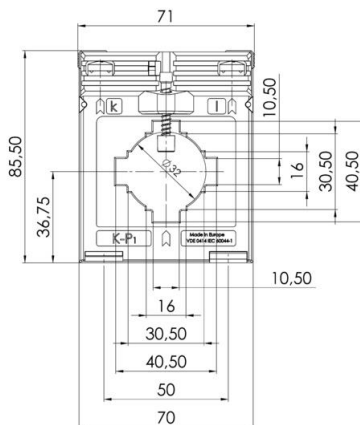
## ASK 41.4 Current transformers for industry

Plug-in current transformer for primary nominal currents from 50 A up to 1000 A, secondary nominal current 5 A or 1 A (optional 2 A), accuracy class 0.2s, 0.5 and 1 (optional in class 0.2 and 0.5s).



### Dimensions:

Bus bar 1: 40 x 10 mm  
Bus bar 2: 2 x 30 x 5 mm  
Round conductor: 32 mm  
Width: 71 mm  
Height: 85,5 mm  
Depth: 58 mm



### Technical details:

Therm. nominal continuous current  $I_{cth}$ :  $1,0 \times I_N$   
Therm. nominal short-time current  $I_{th}$ :  $60 \times I_N$ , 1 sec.  
Max. operating voltage  $U_m$ : 0.72 kV  
Isolation test voltage: 3 kV,  $U_{eff}$ , 50 Hz, 1 min.  
Nominal rated frequency: 50 Hz  
Isolation class: E

### Further information:

Over-current limiting factor: See rating plate  
Working temperature range:  $-5^\circ\text{C} < T < +40^\circ\text{C}$   
Storage temperature range:  $-25^\circ\text{C} < T < +40^\circ\text{C}$   
Unbreakable plastic housing made of black polycarbonate:  
Flame resistant, ultrasonically welded  
Nickel-plated secondary terminals with plus-minus  
nickel-plated screws:  
M5x10mm  
Secondary caps: integrated  
Package quantity: 1 pcs.  
Custom tariff number: 85043129

### GMW Contact:

[www.g-mw.de](http://www.g-mw.de)  
[info@g-mw.de](mailto:info@g-mw.de)

Phone: +49/9103 7129-0  
Fax: +49/9103 7129-205/207