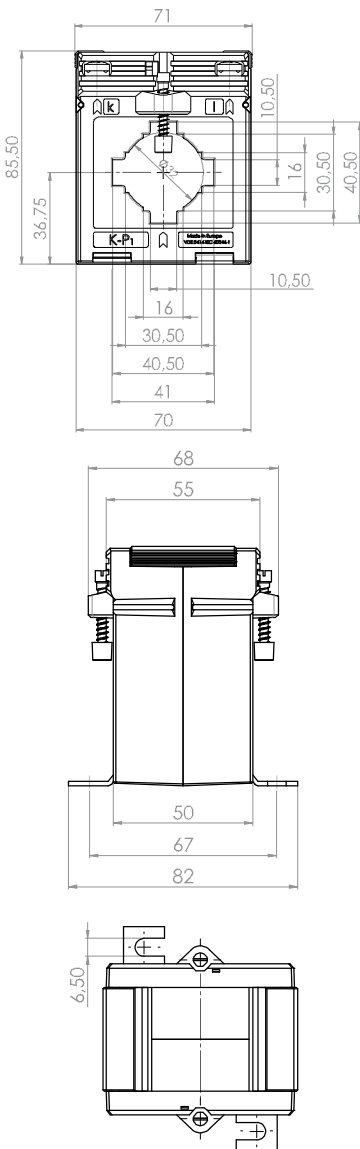




Bus bar 1 40 x 10 mm
 Bus bar 2 2 x 30 x 5 mm
 Round conductor 32 mm
 Transformer width 71 mm
 Height 85,5 mm
 Depth 68 mm



ASK 41.5

Plug-in current transformer

Primary current [A]	Burden [VA]	Secondary current [A] / Class			
		5 A Cl. 1 Art.-no.	5 A Cl. 0,5 Art.-no.	1 A Cl. 1 Art.-no.	1 A Cl. 0,5 Art.-no.
60	1,5	1001010006002		1001010206002	
75	1,5	1001010006004	1001010005001	1001010206004	1001010205001
	2,5	1001010006005	1001010005002	1001010206005	1001010205002
80	1,5	1001010006006	1001010005003	1001010206006	1001010205003
	2,5	1001010006007	1001010005004	1001010206007	1001010205004
100	1,5	1001010006008	1001010005005	1001010206008	1001010205005
	2,5	1001010006009	1001010005006	1001010206009	1001010205006
	3,75	1001010006046		1001010206010	
150	2,5	1001010006010	1001010005007	1001010206011	1001010205007
	5	1001010006011		1001010206012	
	7,5	1001010006012		1001010206013	
200	2,5	1001010006013	1001010005010	1001010206014	1001010205010
	5	1001010006014	1001010005011	1001010206015	1001010205011
	10	1001010006048		1001010206016	
250	2,5	1001010006015	1001010005012	1001010206017	1001010205013
	5	1001010006016	1001010005013	1001010206018	1001010205014
	10	1001010006017	1001010005014	1001010206019	1001010205015
	15	1001010006047		1001010206020	
300	2,5	1001010006018	1001010005015	1001010206021	1001010205017
	5	1001010006019	1001010005016	1001010206022	1001010205018
	10	1001010006020	1001010005017	1001010206023	1001010205019
	15	1001010006021		1001010206024	
400	2,5	1001010006022	1001010005019	1001010206025	1001010205021
	5	1001010006023	1001010005020	1001010206026	1001010205022
	10	1001010006024	1001010005021	1001010206027	1001010205023
	15	1001010006025	1001010005022	1001010206028	1001010205024
500	2,5	1001010006026	1001010005023	1001010206029	1001010205025
	5	1001010006027	1001010005024	1001010206030	1001010205026
	10	1001010006028	1001010005025	1001010206031	1001010205027
600	15	1001010006029	1001010005026	1001010206032	1001010205028
	2,5	1001010006030	1001010005027	1001010206033	1001010205029
	5	1001010006031	1001010005028	1001010206034	1001010205030
750	10	1001010006032	1001010005029	1001010206035	1001010205031
	15	1001010006033	1001010005030	1001010206036	1001010205032
	2,5	1001010006034	1001010005031	1001010206037	1001010205033
	5	1001010006035	1001010005032	1001010206038	1001010205034
800	10	1001010006036	1001010005033	1001010206039	1001010205035
	15	1001010006037	1001010005034	1001010206040	1001010205036
	2,5	1001010006038	1001010005035	1001010206041	1001010205037
1000	5	1001010006039	1001010005036	1001010206042	1001010205038
	10	1001010006040	1001010005037	1001010206043	1001010205039
	15	1001010006041		1001010206044	
	2,5	1001010006042	1001010005039	1001010206045	1001010205041
1000	5	1001010006043	1001010005040	1001010206046	1001010205042
	10	1001010006044	1001010005041	1001010206047	1001010205043
	15	1001010006045		1001010206048	

		Art.-no.
	Snap-on mounting, type C	10055011
	Sealed shutter, type B	10059041