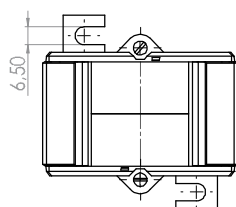
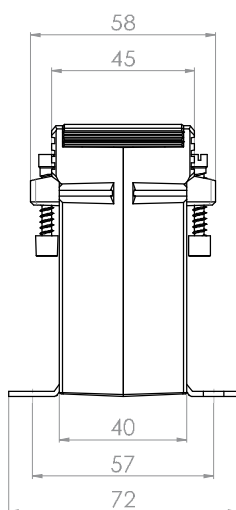
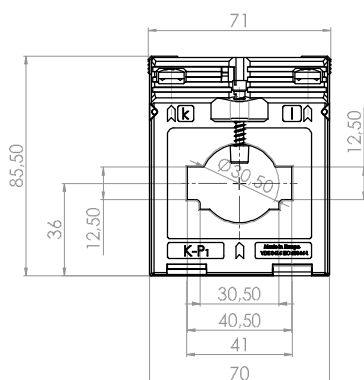




Bus bar 1            40 x 12 mm  
 Bus bar 2            30 x 15 mm  
 Round conductor    30,5 mm  
 Transformer width   71 mm  
 Height                85,5 mm  
 Depth                 58 mm



## ASK 412.4 2U

Plug-in current transformer, secondary reconnectable

Primary current [A]	Burden [VA]	Secondary current [A] / Class	
		5 A Cl. 1 Art.-no.	1 A Cl. 1 Art.-no.
200-100	5-2,5	10028133	10028333
300-150	5-2,5	10028134	10028334
	10-5	10028135	10028335
400-200	5-2,5	10028136	10028336
	10-5	10028137	10028337
500-250	5-2,5	10028138	10028338
	10-5	10028139	10028339
600-300	5-2,5	10028140	10028340
	10-5	10028141	10028341
800-400	5-2,5	10028143	10028343
	10-5	10028144	10028344
	15-7,5	10028145	10028345

## ASK 412.4 3U

Plug-in current transformer, secondary reconnectable

Primary current [A]	Burden [VA]	Secondary current [A] / Class	
		5 A Cl. 1 Art.-no.	1 A Cl. 1 Art.-no.
400-200-100	10-5-2,5	10028163	10028363
600-300-150	10-5-2,5	10028164	10028364
800-400-200	10-5-2,5	10028165	10028365

		Art.-no.
	<b>Snap-on mounting, type D</b>	<b>10055012</b>
	<b>Sealed shutter, type B</b>	<b>10059041</b>