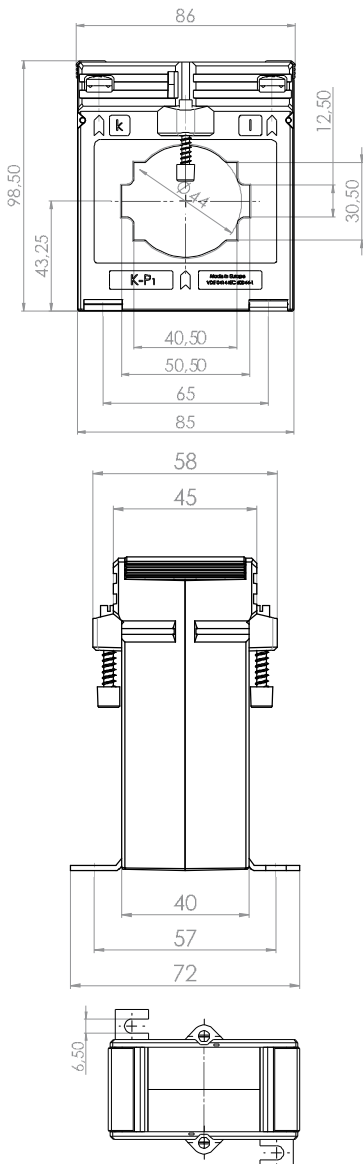




Bus bar 1            50 x 12 mm  
 Bus bar 2            2 x 40 x 10 mm  
 Round conductor    44 mm  
 Transformer width   86 mm  
 Height                98,5 mm  
 Depth                 58 mm



## ASK 51.4 2U

Plug-in current transformer, secondary reconnectable

Primary current [A]	Burden [VA]	Secondary current [A] / Class	
		5 A Cl. 1 Art.-no.	1 A Cl. 1 Art.-no.
400-200	5-2,5	10016130	10016330
	10-5	10016131	10016331
500-250	5-2,5	10016132	10016332
	10-5	10016133	10016333
600-300	5-2,5	10016134	10016334
	10-5	10016135	10016335
800-400	5-2,5	10016136	10016336
	10-5	10016137	10016337
	15-7,5	10016138	10016338
1000-500	5-2,5	10016139	10016339
	10-5	10016140	10016340
	15-7,5	10016141	10016341
1200-600	5-2,5	10016142	10016342
	10-5	10016143	10016343
	15-7,5	10016144	10016344
	30-15	10016145	10016345

## ASK 51.4 3U

Plug-in current transformer, secondary reconnectable

Primary current [A]	Burden [VA]	Secondary current [A] / Class	
		5 A Cl. 1 Art.-no.	1 A Cl. 1 Art.-no.
600-400-200	15-7,5-5	10016178	10016378
800-400-200	10-5-2,5	10016162	10016362
1000-500-250	10-5-2,5	10016163	10016363
	15-7,5-2,5	10016164	10016364
1000-600-300	10-5-2,5	10016180	10016380
	15-10-5	10016176	10016376
1000-600-400	10-5-2,5	10016175	10016375
1000-800-600	15-10-5	10016179	10016379
1200-600-300	10-5-2,5	10016165	10016365
	15-7,5-2,5	10016166	10016366
1200-1000-300	7,5-5-2,5	10016174	10016374

		Art.-no.
	<b>Snap-on mounting</b>	-
	<b>Sealed shutter, type C</b>	<b>10059042</b>