

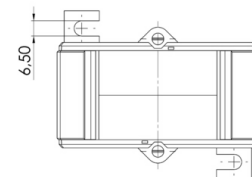
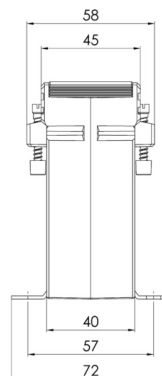
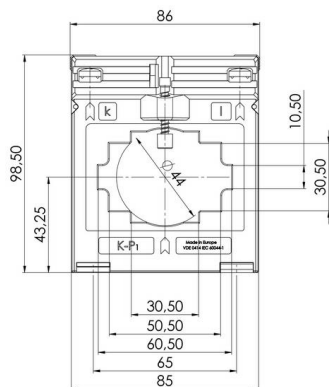
## ASK 561.4 Plug-in current transformer

Plug-in current transformer for primary nominal currents from 200 A up to 1250 A, secondary nominal current 5 A or 1 A (optional 2 A), accuracy class 0.5 and 1.



### Dimensions:

Bus bar 1: 60 x 10 mm  
Bus bar 2: 30 x 40 mm  
Bus bar 3: 2 x 50 x 10 mm  
Round conductor: 44 mm  
Width: 86 mm  
Height: 98,5 mm  
Depth: 58 mm



### Technical details:

Therm. nominal continuous current  $I_{cth}$ : 1,0 x  $I_N$   
Therm. nominal short-time current  $I_{th}$ : 60 x  $I_N$ , 1 sec.

Max. operating voltage  $U_m$ : 0.72 kV

Isolation test voltage: 3 kV,  $U_{eff}$ , 50 Hz, 1 min.

Nominal rated frequency: 50 Hz

Isolation class: E

### Further information:

Over-current limiting factor: See rating plate

Working temperature range:  $-5^{\circ}\text{C} < T < +40^{\circ}\text{C}$

Storage temperature range:  $-25^{\circ}\text{C} < T < +40^{\circ}\text{C}$

Unbreakable plastic housing made of black polycarbonate:

Flame resistant, ultrasonically welded

Nickel-plated secondary terminals with plus-minus nickel-plated screws:

M5x10mm

Secondary caps: integrated

Package quantity: 1 pcs.

Custom tariff number: 85043129