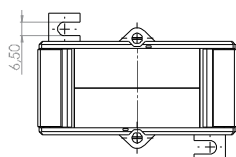
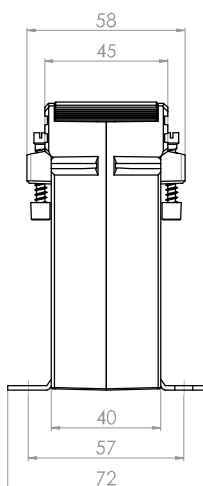
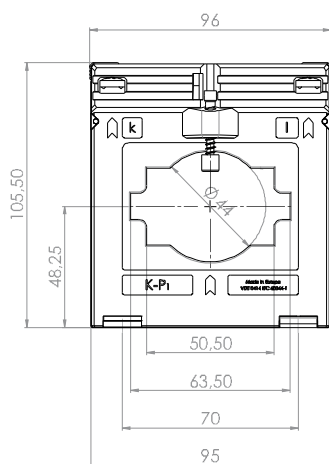




Bus bar 1 63 x 10 mm
 Bus bar 2 2 x 50 x 10 mm
 Round conductor 44 mm
 Transformer width 96 mm
 Height 105,5 mm
 Depth 58 mm



ASK 61.4 2U

Plug-in current transformer, secondary reconnectable

Primary current [A]	Burden [VA]	Secondary current [A] / Class	
		5 A Cl. 1 Art.-no.	1 A Cl. 1 Art.-no.
500-250	5-2,5	10019141	10019341
600-300	5-2,5	10019142	10019342
	10-5	10019143	10019343
800-400	5-2,5	10019144	10019344
	10-5	10019145	10019345
	15-7,5	10019146	10019346
1000-500	5-2,5	10019147	10019347
	10-5	10019148	10019348
	15-7,5	10019149	10019349
1200-600	5-2,5	10019150	10019350
	10-5	10019151	10019351
	15-7,5	10019152	10019352

ASK 61.4 3U

Plug-in current transformer, secondary reconnectable

Primary current [A]	Burden [VA]	Secondary current [A] / Class	
		5 A Cl. 1 Art.-no.	1 A Cl. 1 Art.-no.
800-400-200	10-5-2,5	10019182	10019382
1000-500-250	10-5-2,5	10019183	10019383
	15-7,5-2,5	10019184	10019384
1000-600-300	10-5-2,5	10019185	10019385
	15-7,5-2,5	10019186	10019386
1000-600-400	10-5-2,5	10019199	10019399
1200-600-300	10-5-2,5	10019187	10019387
	15-7,5-2,5	10019188	10019388

		Art.-no.
	Snap-on mounting	-
	Sealed shutter, type C	10059042