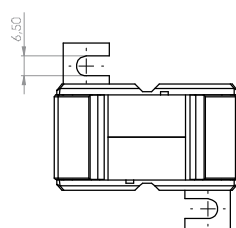
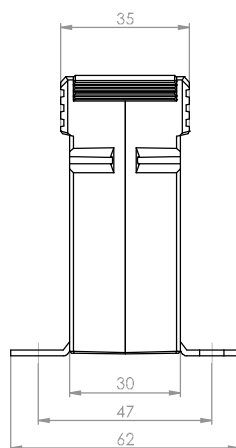
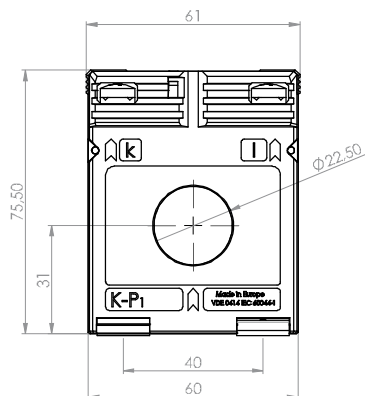


ASR 22.3

Tube current transformer



Round conductor 22,5 mm
 Transformer width 61 mm
 Height 75,5 mm
 Depth 35 mm



Primary current [A]	Burden [VA]	Secondary current [A] / Class				
		5 A Cl. 1 Art.-no.	5 A Cl. 0,5 Art.-no.	5 A Cl. 0,2s Art.-no.	1 A Cl. 1 Art.-no.	1 A Cl. 0,5 Art.-no.
50	1	1003035			1003235	
	1,5				1003236	
60	1	1003037			1003237	
	1,5	1003038			1003238	
75	1,5	1003039			1003239	
	2,5	1003040			1003240	
80	1,5	1003041			1003241	
	2,5	1003042			1003242	
100	1,5	1003043	1003011		1003243	1003211
	2,5	1003044	1003134		1003244	1003334
	3,75	1003045			1003245	
150	1,5	1003046	1003012	100V04-1604C	1003246	1003212
	2,5	1003047	1003013	100V04-1604D	1003247	1003213
	5	1003048			1003248	
200	1,5		1003014			1003214
	2,5	1003049	1003015	100V04-1704D	1003249	1003215
	5	1003050	1003016	100V04-1704F	1003250	1003216
250	10	1003051				
	2,5	1003052	1003018	100V04-1804D	1003252	1003218
	5	1003053	1003019	100V04-1804F	1003253	1003219
300	10	1003054			1003254	
	2,5	1003056	1003022	100V04-1904D	1003256	1003222
	5	1003057	1003023	100V04-1904F	1003257	1003223
400	10	1003058	1003024		1003258	1003224
	15				1003259	
	2,5	1003060	1003025	100V04-2004D	1003260	1003225
500	5	1003061	1003026	100V04-2004F	1003261	1003226
	10	1003062	1003027		1003262	1003227
	15	1003063			1003263	
600	2,5	1003064	1003028	100V04-2104D	1003264	1003228
	5	1003065	1003029	100V04-2104F	1003265	1003229
	10	1003066	1003030	100V04-2104H	1003266	1003230
600	2,5	1003068	1003031	100V04-2204D	1003268	1003231
	5	1003069	1003032	100V04-2204F	1003269	1003232
	10	1003070	1003033	100V04-2204H	1003270	1003233

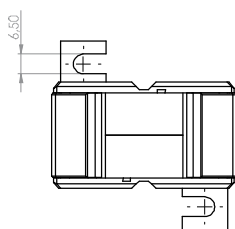
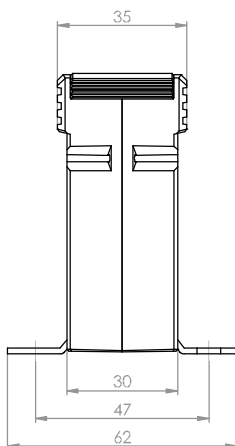
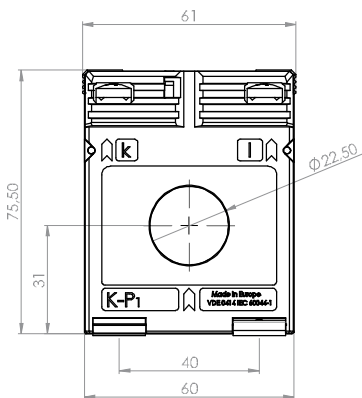
	Art.-no.
	Snap-on mounting, type A 10053011
	Sealed shutter, type A 10059040

ASR 22.3 2U



Tube current transformer, secondary reconnectable



Round conductor 22,5 mm
 Transformer width 61 mm
 Height 75,5 mm
 Depth 35 mm



Primary current [A]	Burden [VA]	Secondary current [A] / Class	
		5 A Cl. 1 Art.-no.	1 A Cl. 1 Art.-no.
200-100	5-2,5	1003111	1003311
	10-5	1003113	1003313
300-150	5-2,5	1003112	1003312
	10-5	1003114	1003314
400-200	5-2,5	1003115	1003315
	10-5	1003116	1003316
500-250	5-2,5	1003117	1003317
	10-5	1003118	1003318
600-300	5-2,5	1003119	1003319
	10-5		

		Art.-no.
	Snap-on mounting, type A	10053011
	Sealed shutter, type A	10059040