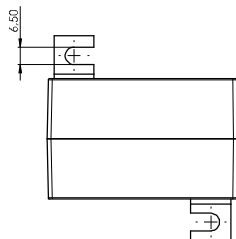
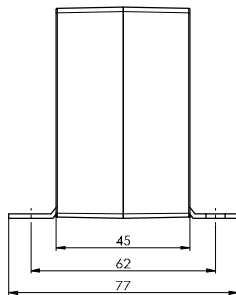
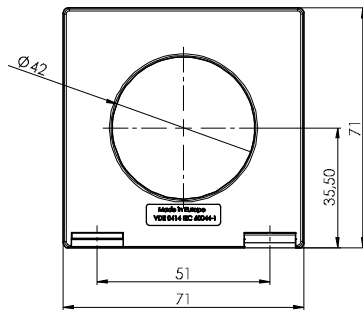


ASR 42.45



Tube current transformer



Round conductor 42 mm
 Transformer width 71 mm
 Height 71 mm
 Depth 45 mm



Primary current [A]	Burden [VA]	Secondary current [A] / Class	
		5 A Cl. 1 Art.-no.	1 A Cl. 1 Art.-no.
150	1,5	10026500	10026600
	2,5	10026501	10026601
200	1,5	10026502	10026602
	2,5	10026503	10026603
	5	10026504	10026604
250	1,5	10026505	10026605
	2,5	10026506	10026606
	5	10026507	10026607
	7,5	10026508	
300	2,5	10026509	10026609
	5	10026510	10026610
	7,5	10026536	10026644
400	2,5	10026512	10026612
	5	10026513	10026613
500	10	10026514	10026614
	2,5	10026515	10026615
	5	10026516	10026616
600	10	10026517	10026617
	2,5	10026519	10026619
	5	10026520	10026620
750	10	10026521	10026621
	15	10026522	10026622
	2,5	10026523	10026623
	5	10026524	10026624
800	10	10026525	10026625
	15	10026526	10026626
	5	10026527	10026627
	10	10026528	10026628

	Art.-no.
 Snap-on mounting	-
 Sealed shutter	-

- Connection cable 2,5 mm², 400 mm long (standard)
- The ends of the cables are equipped with ferrules.