

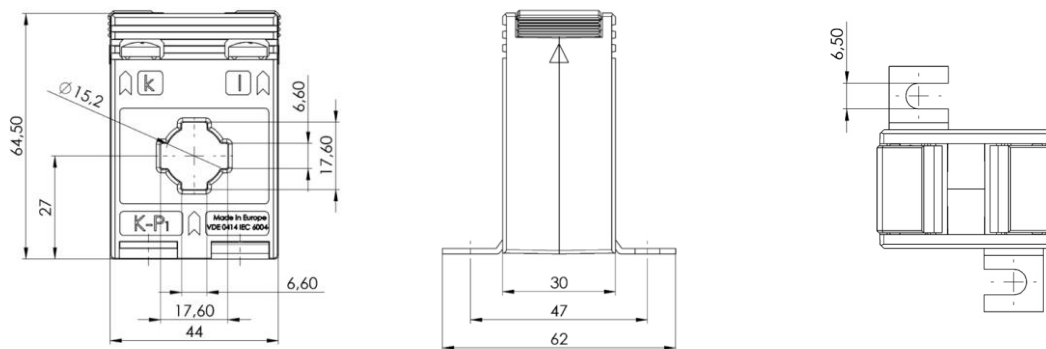
AS 176.3 Plug-in current transformer

Plug-in current transformers suitable for slim-line XR size XR1 for primary nominal currents of 75 A up to 250 A with a secondary nominal current of 5 A or 1 A (optional 2 A) accuracy classes 3, 1 and 0.5.
Installation of this current transformer is only possible with the ABB bus bar adaptor.



Dimensions:

Bus bar 1: 17 x 6 mm
Round conductor: 15,2 mm
Width: 45 mm
Height: 65 mm
Depth: 30 mm



Technical details:

Therm. nominal continuous current I_{ctH} : $1,0 \times I_N$
Therm. nominal short-time current I_{th} : $60 \times I_N$, 1 sec.
Max. operating voltage U_m : 0.72 kV
Isolation test voltage: 3 kV, U_{eff} , 50 Hz, 1 min.
Nominal rated frequency: 50 Hz
Isolation class: E

Further information:

Over-current limiting factor: See rating plate
Working temperature range: $-5^\circ\text{C} < T < +40^\circ\text{C}$
Storage temperature range: $-25^\circ\text{C} < T < +40^\circ\text{C}$
Unbreakable plastic housing made of black polycarbonate:
Flame resistant, ultrasonically welded
Nickel-plated secondary terminals with plus-minus nickel-plated screws:
M5x10mm
Secondary caps: integrated
Package quantity: 1 pcs.
Custom tariff number: 85043129

GMW Contact:

www.g-mw.de
info@g-mw.de

Phone: +49/9103 7129-0
Fax: +49/9103 7129-205/207