

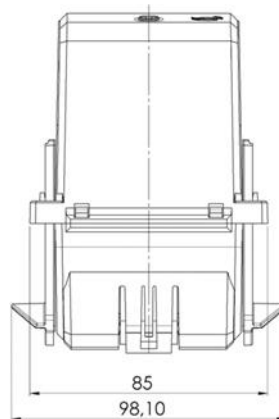
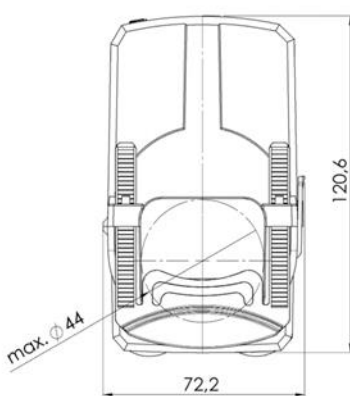
## KBR 44 Split Core-Current Transformer

Compact split-core current transformer for primary nominal currents from 100 A up to 600 A, secondary nominal current 1 A and 5 A. The KBR 44 with secondary 1A will be delivered with 2.5 m connection cable 2x0.75 mm<sup>2</sup>. The secondary 5 A version will be delivered with 0.5 m connection cable 2x1.5 mm<sup>2</sup>.



### Dimensions:

Round conductor: 44 mm  
Width: 72,2 mm  
Height: 120,6 mm  
Depth: 98 mm



### Technical details:

Therm. nominal continuous current  $I_{ct}$ : 1,2 x  $I_N$   
Therm. nominal short-time current  $I_{th}$ : 60 x  $I_N$ , 1 sec.  
Max. operating voltage  $U_m$ : 0.72 kV  
Isolation test voltage: 3 kV,  $U_{eff}$ , 50 Hz, 1 min.  
Nominal rated frequency: 50 Hz  
Isolation class: E  
Technical standards used IEC 61869-1/2

### Further information:

Over-current limiting factor: See rating plate  
Working temperature range:  $-5^{\circ}\text{C} < T < +50^{\circ}\text{C}$   
Storage temperature range:  $-25^{\circ}\text{C} < T < +70^{\circ}\text{C}$   
Unbreakable plastic housing made of grey polyamide: flame resistant  
Package quantity: 1 pc.  
Custom tariff number: 85043129

### GMW SALES CONTACT:

[www.g-mw.de](http://www.g-mw.de)  
[info@g-mw.de](mailto:info@g-mw.de)

Phone: +49/9103 7129-0  
Fax: +49/9103 7129-205/207