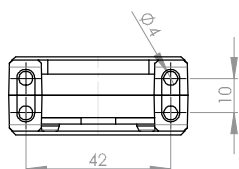
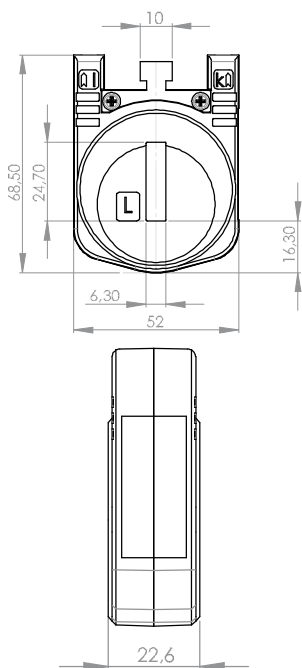




Bus bar 1            24 x 6 mm  
 Transformer width    52 mm  
 Height                68,5 mm  
 Depth                 23 mm



## NH 6.1

Current transformer for fuse disconnectors

Primary current [A]	Burden [VA]	Secondary current [A] / Class	
		5 A Cl. 3 Art.-no.	1 A Cl. 3 Art.-no.
100	1,25	10050011	10050211
150	2,5	10050012	10050212
200	3,5	10050013	10050213
250	4	10050014	10050214
300	5	10050015	10050215

## NH 6.1 2U

Current transformer for fuse disconnectors, secondary reconnectable

Primary current [A]	Burden [VA]	Secondary current [A] / Class	
		5 A Cl. 3 Art.-no.	1 A Cl. 3 Art.-no.
200-100	2,5-1,25	10050111	10050311
300-150	5-2,5	10050112	10050312

		Art.-no.
	<b>Snap-on mounting</b>	-
	<b>Sealed shutter</b>	-