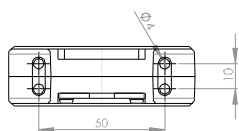
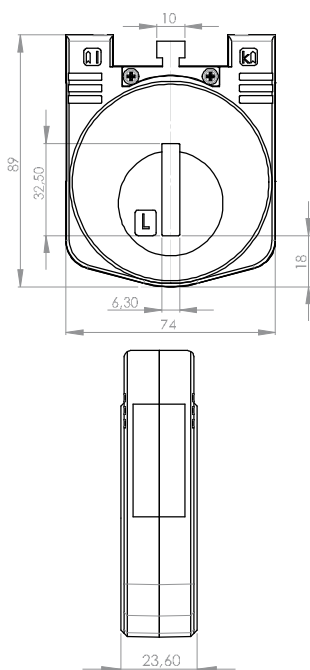




Bus bar 1 32 x 6 mm
 Transformer width 74 mm
 Height 89 mm
 Depth 24 mm



NH 6.3

Current transformer for fuse disconnectors

Primary current [A]	Burden [VA]	Secondary current [A] / Class	
		5 A Cl. 3 Art.-no.	1 A Cl. 3 Art.-no.
150	2,5	10050031	10050231
200	3,5	10050032	10050232
250	4	10050033	10050233
300	5	10050034	10050234
400	5	10050035	10050235
500	5	10050036	10050236
600	10	10050037	10050237

NH 6.3 2U

Current transformer for fuse disconnectors, secondary reconnectable

Primary current [A]	Burden [VA]	Secondary current [A] / Class	
		5 A Cl. 3 Art.-no.	1 A Cl. 3 Art.-no.
300-150	5-2,5	10050131	10050331
400-200	5-2,5	10050132	10050332
600-300	10-5	10050133	10050333

		Art.-no.
	Snap-on mounting	-
	Sealed shutter	-