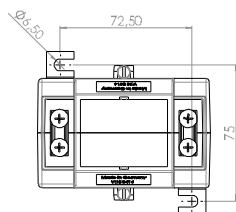
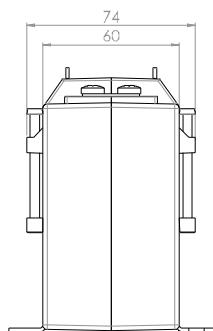
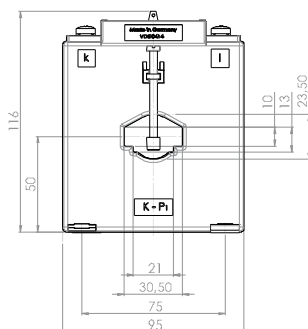


## SASK 31.6

### Protection plug-in current transformer



Bus bar 1            30 x 10 mm  
 Bus bar 2            20 x 13 mm  
 Round conductor    23 mm  
 Transformer width   95 mm  
 Height                116 mm  
 Depth                 74 mm



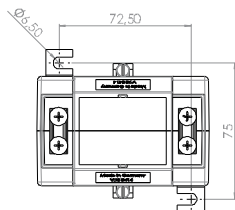
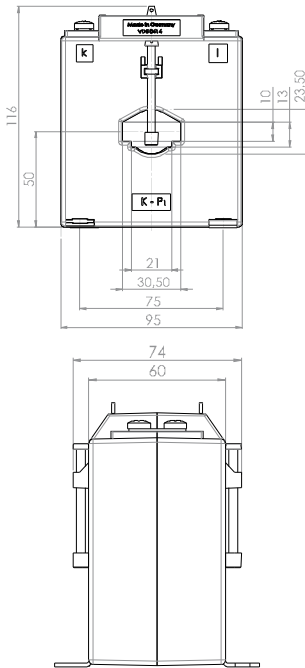
| Primary current [A] | Burden [VA] | Secondary current [A] / Class |                             |                             |
|---------------------|-------------|-------------------------------|-----------------------------|-----------------------------|
|                     |             | 5 A<br>Cl. 5P5<br>Art.-no.    | 5 A<br>Cl. 10P5<br>Art.-no. | 5 A<br>Cl. 5P10<br>Art.-no. |
| 50                  | 1,5         | 100S19-0906C                  | 100S19-0907C                |                             |
|                     | 2,5         | 100S19-0906D                  | 100S19-0907D                |                             |
| 60                  | 1,5         | 100S19-1006C                  | 100S19-1007C                |                             |
|                     | 2,5         | 100S19-1006D                  | 100S19-1007D                |                             |
| 80                  | 1,5         |                               |                             | 100S19-1208C                |
|                     | 2,5         | 100S19-1206D                  | 100S19-1207D                |                             |
|                     | 5           | 100S19-1206F                  | 100S19-1207F                |                             |
| 100                 | 1,5         | 100S19-1306C                  | 100S19-1307C                | 100S19-1308C                |
|                     | 2,5         | 100S19-1306D                  | 100S19-1307D                | 100S19-1308D                |
|                     | 5           | 100S19-1306F                  | 100S19-1307F                |                             |
| 150                 | 2,5         | 100S19-1606D                  | 100S19-1607D                | 100S19-1608D                |
|                     | 5           | 100S19-1606F                  | 100S19-1607F                | 100S19-1608F                |
|                     | 7,5         | 100S19-1606G                  | 100S19-1607G                |                             |
| 200                 | 2,5         | 100S19-1706D                  | 100S19-1707D                | 100S19-1708D                |
|                     | 5           | 100S19-1706F                  | 100S19-1707F                | 100S19-1708F                |
|                     | 7,5         | 100S19-1706G                  | 100S19-1707G                |                             |
|                     | 10          | 100S19-1706H                  | 100S19-1707H                |                             |
| 250                 | 2,5         | 100S19-1806D                  | 100S19-1807D                | 100S19-1808D                |
|                     | 5           | 100S19-1806F                  | 100S19-1807F                | 100S19-1808F                |
|                     | 7,5         | 100S19-1806G                  | 100S19-1807G                |                             |
| 300                 | 10          | 100S19-1806H                  | 100S19-1807H                |                             |
|                     | 2,5         | 100S19-1906D                  | 100S19-1907D                | 100S19-1908D                |
|                     | 5           | 100S19-1906F                  | 100S19-1907F                | 100S19-1908F                |
| 400                 | 10          | 100S19-1906H                  | 100S19-1907H                |                             |
|                     | 2,5         | 100S19-2006D                  | 100S19-2007D                | 100S19-2008D                |
|                     | 5           | 100S19-2006F                  | 100S19-2007F                | 100S19-2008F                |
|                     | 7,5         | 100S19-2006G                  | 100S19-2007G                | 100S19-2008G                |
|                     | 10          | 100S19-2006H                  | 100S19-2007H                | 100S19-2008H                |
| 500                 | 15          | 100S19-2006J                  | 100S19-2007J                |                             |
|                     | 2,5         | 100S19-2106D                  | 100S19-2107D                | 100S19-2108D                |
|                     | 5           | 100S19-2106F                  | 100S19-2107F                | 100S19-2108F                |
|                     | 7,5         | 100S19-2106G                  | 100S19-2107G                | 100S19-2108G                |
|                     | 10          | 100S19-2106H                  | 100S19-2107H                | 100S19-2108H                |
| 600                 | 15          | 100S19-2106J                  | 100S19-2107J                |                             |
|                     | 2,5         | 100S19-2206D                  | 100S19-2207D                | 100S19-2208D                |
|                     | 5           | 100S19-2206F                  | 100S19-2207F                | 100S19-2208F                |
|                     | 7,5         | 100S19-2206G                  | 100S19-2207G                | 100S19-2208G                |
|                     | 10          | 100S19-2206H                  | 100S19-2207H                | 100S19-2208H                |
| 750                 | 15          | 100S19-2206J                  | 100S19-2207J                |                             |
|                     | 2,5         | 100S19-2306D                  | 100S19-2307D                | 100S19-2308D                |
|                     | 5           | 100S19-2306F                  | 100S19-2307F                | 100S19-2308F                |
| 750                 | 7,5         | 100S19-2306G                  | 100S19-2307G                | 100S19-2308G                |
|                     | 10          | 100S19-2306H                  | 100S19-2307H                | 100S19-2308H                |
|                     | 15          | 100S19-2306J                  | 100S19-2307J                |                             |



## SASK 31.6

### Protection plug-in current transformer

Bus bar 1            30 x 10 mm  
 Bus bar 2            20 x 13 mm  
 Round conductor    23 mm  
 Transformer width   95 mm  
 Height                116 mm  
 Depth                 74 mm



| Primary current [A] | Burden [VA] | Secondary current [A] / Class |                             |                              |
|---------------------|-------------|-------------------------------|-----------------------------|------------------------------|
|                     |             | 5 A<br>Cl. 10P10<br>Art.-no.  | 5 A<br>Cl. 5P15<br>Art.-no. | 5 A<br>Cl. 10P15<br>Art.-no. |
| 60                  | 1,5         | 100S19-1009C                  |                             |                              |
| 80                  | 1,5         | 100S19-1209C                  |                             |                              |
| 100                 | 1,5         | 100S19-1309C                  | 100S19-130AC                | 100S19-130BC                 |
|                     | 2,5         | 100S19-1309D                  |                             |                              |
| 150                 | 2,5         | 100S19-1609D                  | 100S19-160AD                | 100S19-160BD                 |
|                     | 5           | 100S19-1609F                  |                             |                              |
| 200                 | 2,5         | 100S19-1709D                  | 100S19-170AD                | 100S19-170BD                 |
|                     | 5           | 100S19-1709F                  |                             |                              |
| 250                 | 2,5         | 100S19-1809D                  | 100S19-180AD                | 100S19-180BD                 |
|                     | 5           | 100S19-1809F                  |                             |                              |
| 300                 | 2,5         | 100S19-1909D                  | 100S19-190AD                | 100S19-190BD                 |
|                     | 5           | 100S19-1909F                  |                             |                              |
| 400                 | 2,5         | 100S19-2009D                  | 100S19-200AD                | 100S19-200BD                 |
|                     | 5           | 100S19-2009F                  | 100S19-200AF                | 100S19-200BF                 |
|                     | 7,5         | 100S19-2009G                  |                             |                              |
|                     | 10          | 100S19-2009H                  |                             |                              |
| 500                 | 2,5         | 100S19-2109D                  | 100S19-210AD                | 100S19-210BD                 |
|                     | 5           | 100S19-2109F                  | 100S19-210AF                | 100S19-210BF                 |
|                     | 7,5         | 100S19-2109G                  |                             |                              |
|                     | 10          | 100S19-2109H                  |                             |                              |
| 600                 | 2,5         | 100S19-2209D                  | 100S19-220AD                | 100S19-220BD                 |
|                     | 5           | 100S19-2209F                  | 100S19-220AF                | 100S19-220BF                 |
|                     | 7,5         | 100S19-2209G                  |                             |                              |
|                     | 10          | 100S19-2209H                  |                             |                              |
| 750                 | 2,5         | 100S19-2309D                  | 100S19-230AD                | 100S19-230BD                 |
|                     | 5           | 100S19-2309F                  | 100S19-230AF                | 100S19-230BF                 |
|                     | 7,5         | 100S19-2309G                  |                             |                              |
|                     | 10          | 100S19-2309H                  |                             |                              |

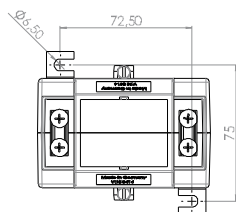
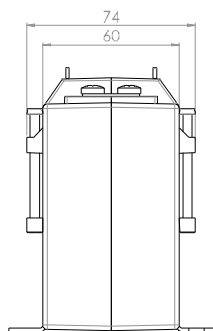
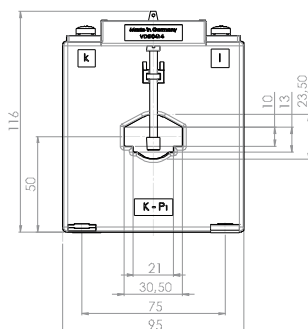
|  |                               | Art.-no.        |
|--|-------------------------------|-----------------|
|  | <b>Snap-on mounting</b>       | -               |
|  | <b>Sealed shutter, type E</b> | <b>100S9044</b> |

## SASK 31.6

### Protection plug-in current transformer



Bus bar 1            30 x 10 mm  
 Bus bar 2            20 x 13 mm  
 Round conductor    23 mm  
 Transformer width   95 mm  
 Height                116 mm  
 Depth                 74 mm



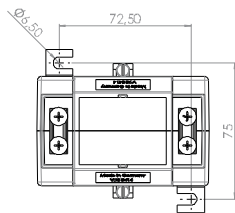
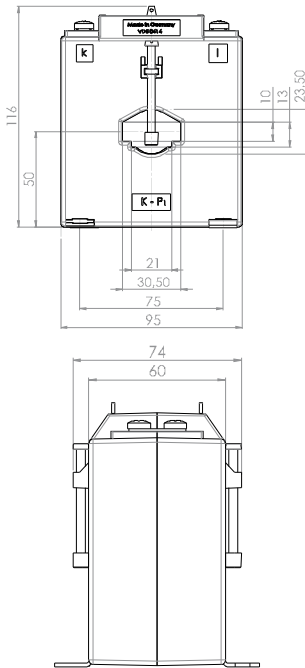
| Primary current [A] | Burden [VA]  | Secondary current [A] / Class |                             |                             |
|---------------------|--------------|-------------------------------|-----------------------------|-----------------------------|
|                     |              | 1 A<br>Cl. 5P5<br>Art.-no.    | 1 A<br>Cl. 10P5<br>Art.-no. | 1 A<br>Cl. 5P10<br>Art.-no. |
| 50                  | 1,5          | 100S19-0916C                  | 100S19-0917C                |                             |
|                     | 2,5          | 100S19-0916D                  | 100S19-0917D                |                             |
| 60                  | 1,5          | 100S19-1016C                  | 100S19-1017C                | 100S19-1018C                |
|                     | 2,5          | 100S19-1016D                  | 100S19-1017D                |                             |
| 80                  | 1,5          | 100S19-1216C                  | 100S19-1217C                | 100S19-1218C                |
|                     | 2,5          | 100S19-1216D                  | 100S19-1217D                | 100S19-1218D                |
|                     | 5            |                               | 100S19-1217F                |                             |
| 100                 | 2,5          | 100S19-1316D                  | 100S19-1317D                | 100S19-1318D                |
|                     | 5            | 100S19-1316F                  | 100S19-1317F                |                             |
| 150                 | 2,5          | 100S19-1616D                  | 100S19-1617D                | 100S19-1618D                |
|                     | 5            | 100S19-1616F                  | 100S19-1617F                | 100S19-1618F                |
| 200                 | 2,5          | 100S19-1716D                  | 100S19-1717D                | 100S19-1718D                |
|                     | 5            | 100S19-1716F                  | 100S19-1717F                | 100S19-1718F                |
|                     | 7,5          | 100S19-1716G                  | 100S19-1717G                |                             |
|                     | 10           | 100S19-1716H                  | 100S19-1717H                |                             |
| 250                 | 2,5          | 100S19-1816D                  | 100S19-1817D                | 100S19-1818D                |
|                     | 5            | 100S19-1816F                  | 100S19-1817F                | 100S19-1818F                |
|                     | 7,5          | 100S19-1816G                  | 100S19-1817G                |                             |
| 300                 | 2,5          | 100S19-1916D                  | 100S19-1917D                | 100S19-1918D                |
|                     | 5            | 100S19-1916F                  | 100S19-1917F                | 100S19-1918F                |
|                     | 10           | 100S19-1916H                  | 100S19-1917H                |                             |
| 400                 | 2,5          | 100S19-2016D                  | 100S19-2017D                | 100S19-2018D                |
|                     | 5            | 100S19-2016F                  | 100S19-2017F                | 100S19-2018F                |
|                     | 7,5          | 100S19-2016G                  | 100S19-2017G                | 100S19-2018G                |
|                     | 10           | 100S19-2016H                  | 100S19-2017H                | 100S19-2018H                |
| 500                 | 15           | 100S19-2016J                  | 100S19-2017J                |                             |
|                     | 2,5          | 100S19-2116D                  | 100S19-2117D                | 100S19-2118D                |
|                     | 5            | 100S19-2116F                  | 100S19-2117F                | 100S19-2118F                |
|                     | 7,5          | 100S19-2116G                  | 100S19-2117G                | 100S19-2118G                |
| 600                 | 10           | 100S19-2116H                  | 100S19-2117H                | 100S19-2118H                |
|                     | 15           | 100S19-2116J                  | 100S19-2117J                |                             |
|                     | 2,5          | 100S19-2216D                  | 100S19-2217D                | 100S19-2218D                |
|                     | 5            | 100S19-2216F                  | 100S19-2217F                | 100S19-2218F                |
| 750                 | 7,5          | 100S19-2216G                  | 100S19-2217G                | 100S19-2218G                |
|                     | 10           | 100S19-2216H                  | 100S19-2217H                | 100S19-2218H                |
|                     | 15           | 100S19-2216J                  | 100S19-2217J                |                             |
|                     | 2,5          | 100S19-2316D                  | 100S19-2317D                | 100S19-2318D                |
| 750                 | 5            | 100S19-2316F                  | 100S19-2317F                | 100S19-2318F                |
|                     | 7,5          | 100S19-2316G                  | 100S19-2317G                | 100S19-2318G                |
|                     | 10           | 100S19-2316H                  | 100S19-2317H                | 100S19-2318H                |
| 15                  | 100S19-2316J | 100S19-2317J                  |                             |                             |



## SASK 31.6

### Protection plug-in current transformer

Bus bar 1            30 x 10 mm  
 Bus bar 2            20 x 13 mm  
 Round conductor    23 mm  
 Transformer width   95 mm  
 Height                116 mm  
 Depth                 74 mm



| Primary current [A] | Burden [VA] | Secondary current [A] / Class |                             |                              |
|---------------------|-------------|-------------------------------|-----------------------------|------------------------------|
|                     |             | 1 A<br>Cl. 10P10<br>Art.-no.  | 1 A<br>Cl. 5P15<br>Art.-no. | 1 A<br>Cl. 10P15<br>Art.-no. |
| 60                  | 1,5         | 100S19-1019C                  |                             |                              |
| 80                  | 1,5         | 100S19-1219C                  |                             |                              |
|                     | 2,5         | 100S19-1219D                  |                             |                              |
| 100                 | 1,5         |                               | 100S19-131AC                | 100S19-131BC                 |
|                     | 2,5         | 100S19-1319D                  |                             |                              |
| 150                 | 2,5         | 100S19-1619D                  | 100S19-161AD                | 100S19-161BD                 |
|                     | 5           | 100S19-1619F                  |                             |                              |
| 200                 | 2,5         | 100S19-1719D                  | 100S19-171AD                | 100S19-171BD                 |
|                     | 5           | 100S19-1719F                  |                             |                              |
| 250                 | 2,5         | 100S19-1819D                  | 100S19-181AD                | 100S19-181BD                 |
|                     | 5           | 100S19-1819F                  |                             |                              |
| 300                 | 2,5         | 100S19-1919D                  | 100S19-191AD                | 100S19-191BD                 |
|                     | 5           | 100S19-1919F                  |                             |                              |
| 400                 | 2,5         | 100S19-2019D                  | 100S19-201AD                | 100S19-201BD                 |
|                     | 5           | 100S19-2019F                  | 100S19-201AF                | 100S19-201BF                 |
|                     | 7,5         | 100S19-2019G                  |                             |                              |
|                     | 10          | 100S19-2019H                  |                             |                              |
| 500                 | 2,5         | 100S19-2119D                  | 100S19-211AD                | 100S19-211BD                 |
|                     | 5           | 100S19-2119F                  | 100S19-211AF                | 100S19-211BF                 |
|                     | 7,5         | 100S19-2119G                  |                             |                              |
|                     | 10          | 100S19-2119H                  |                             |                              |
| 600                 | 2,5         | 100S19-2219D                  | 100S19-221AD                | 100S19-221BD                 |
|                     | 5           | 100S19-2219F                  | 100S19-221AF                | 100S19-221BF                 |
|                     | 7,5         | 100S19-2219G                  |                             |                              |
|                     | 10          | 100S19-2219H                  |                             |                              |
| 750                 | 2,5         | 100S19-2319D                  | 100S19-231AD                | 100S19-231BD                 |
|                     | 5           | 100S19-2319F                  | 100S19-231AF                | 100S19-231BF                 |
|                     | 7,5         | 100S19-2319G                  |                             |                              |
|                     | 10          | 100S19-2319H                  |                             |                              |

|  |                               | Art.-no.        |
|--|-------------------------------|-----------------|
|  | <b>Snap-on mounting</b>       | -               |
|  | <b>Sealed shutter, type E</b> | <b>10059044</b> |