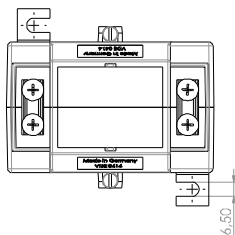
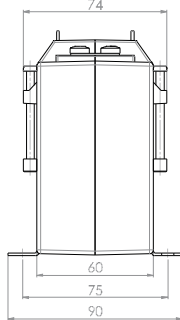
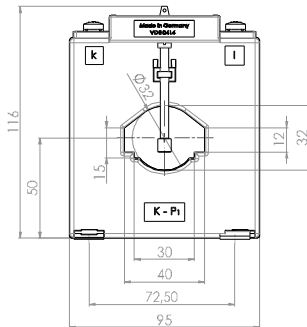




SASK 41.6

Protection plug-in current transformer

Bus bar 1 40 x 12 mm
 Bus bar 2 30 x 15 mm
 Round conductor 32 mm
 Transformer width 95 mm
 Height 116 mm
 Depth 74 mm



Primary current [A]	Burden [VA]	Secondary current [A] / Class			
		5 A Cl. 5P5 Art.-no.	5 A Cl. 10P5 Art.-no.	5 A Cl. 5P10 Art.-no.	5 A Cl. 10P10 Art.-no.
75	1,5	100S30-1106C	100S30-1107C	100S30-1108C	100S30-1109C
	2,5	100S30-1106D	100S30-1107D		
100	1,5	100S30-1306C	100S30-1307C	100S30-1308C	100S30-1309C
	2,5	100S30-1306D	100S30-1307D	100S30-1308D	100S30-1309D
	5	100S30-1306F	100S30-1307F		
150	2,5	100S30-1606D	100S30-1607D	100S30-1608D	100S30-1609D
	5	100S30-1606F	100S30-1607F		
200	2,5	100S30-1706D	100S30-1707D	100S30-1708D	100S30-1709D
	5	100S30-1706F	100S30-1707F		100S30-1709F
	7,5	100S30-1706G	100S30-1707G		
	10	100S30-1706H	100S30-1707H		
250	2,5	100S30-1806D	100S30-1807D	100S30-1808D	100S30-1809D
	5	100S30-1806F	100S30-1807F	100S30-1808F	100S30-1809F
	7,5	100S30-1806G	100S30-1807G		
	10	100S30-1806H	100S30-1807H		
300	2,5	100S30-1906D	100S30-1907D	100S30-1908D	100S30-1909D
	5	100S30-1906F	100S30-1907F	100S30-1908F	100S30-1909F
	7,5	100S30-1906G	100S30-1907G		
	10	100S30-1906H	100S30-1907H		
	15		100S30-1906J		
400	2,5	100S30-2006D	100S30-2007D	100S30-2008D	100S30-2009D
	5	100S30-2006F	100S30-2007F	100S30-2008F	100S30-2009F
	7,5	100S30-2006G	100S30-2007G	100S30-2008G	100S30-2009G
	10	100S30-2006H	100S30-2007H		
	15	100S30-2006J	100S30-2007J		
500	2,5	100S30-2106D	100S30-2107D	100S30-2108D	100S30-2109D
	5	100S30-2106F	100S30-2107F	100S30-2108F	100S30-2109F
	7,5	100S30-2106G	100S30-2107G	100S30-2108G	100S30-2109G
	10	100S30-2106H	100S30-2107H	100S30-2108H	100S30-2109H
	15	100S30-2106J	100S30-2107J		
600	2,5	100S30-2206D	100S30-2207D	100S30-2208D	100S30-2209D
	5	100S30-2206F	100S30-2207F	100S30-2208F	100S30-2209F
	7,5	100S30-2206G	100S30-2207G	100S30-2208G	100S30-2209G
	10	100S30-2206H	100S30-2207H	100S30-2208H	100S30-2209H
	15	100S30-2206J	100S30-2207J		
750	2,5	100S30-2306D	100S30-2307D	100S30-2308D	100S30-2309D
	5	100S30-2306F	100S30-2307F	100S30-2308F	100S30-2309F
	7,5	100S30-2306G	100S30-2307G	100S30-2308G	100S30-2309G
	10	100S30-2306H	100S30-2307H	100S30-2308H	100S30-2309H
	15	100S30-2306J	100S30-2307J		

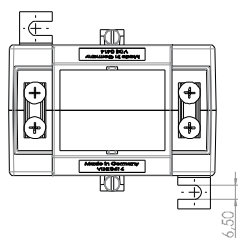
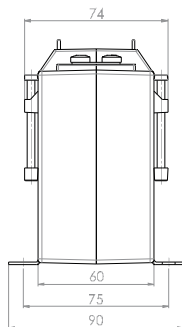
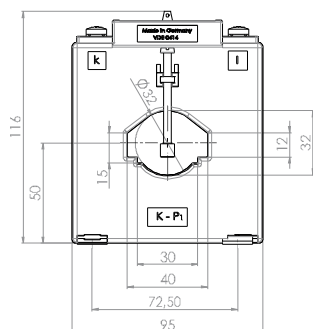
		Art.-no.
	Snap-on mounting	-
	Sealed shutter, type E	10059044

SASK 41.6

Protection plug-in current transformer



Bus bar 1 40 x 12 mm
 Bus bar 2 30 x 15 mm
 Round conductor 32 mm
 Transformer width 95 mm
 Height 116 mm
 Depth 74 mm



Primary current [A]	Burden [VA]	Secondary current [A] / Class			
		1 A Cl. 5P5 Art.-no.	1 A Cl. 10P5 Art.-no.	1 A Cl. 5P10 Art.-no.	1 A Cl. 10P10 Art.-no.
75	1,5	100S30-1116C	100S30-1117C	100S30-1118C	100S30-1119C
	2,5	100S30-1116D	100S30-1117D		
100	1,5	100S30-1316C	100S30-1317C	100S30-1318C	100S30-1319C
	2,5	100S30-1316D	100S30-1317D	100S30-1318D	100S30-1319D
	5	100S30-1316F	100S30-1317F		
150	2,5	100S30-1616D	100S30-1617D	100S30-1618D	100S30-1619D
	5	100S30-1616F	100S30-1617F		
200	7,5		100S30-1617G		
	2,5	100S30-1716D		100S30-1718D	100S30-1719D
	5	100S30-1716F	100S30-1717F		100S30-1719F
	7,5	100S30-1716G	100S30-1717G		
250	10	100S30-1716H	100S30-1717H		
	2,5	100S30-1816D	100S30-1817D	100S30-1818D	100S30-1819D
	5	100S30-1816F	100S30-1817F	100S30-1818F	100S30-1819F
	7,5	100S30-1816G	100S30-1817G		
300	10	100S30-1816H	100S30-1817H		
	2,5	100S30-1916D	100S30-1917D	100S30-1918D	100S30-1919D
	5	100S30-1916F	100S30-1917F	100S30-1918F	100S30-1919F
	7,5	100S30-1916G	100S30-1917G		
400	10	100S30-1916H	100S30-1917H		
	15		100S30-1916J		
	2,5	100S30-2016D	100S30-2017D	100S30-2018D	100S30-2019D
	5	100S30-2016F	100S30-2017F	100S30-2018F	100S30-2019F
500	7,5	100S30-2016G	100S30-2017G	100S30-2018G	100S30-2019G
	10	100S30-2016H	100S30-2017H	100S30-2018H	100S30-2019H
	15	100S30-2016J	100S30-2017J		
	2,5	100S30-2116D	100S30-2117D	100S30-2118D	100S30-2119D
600	5	100S30-2116F	100S30-2117F	100S30-2118F	100S30-2119F
	7,5	100S30-2116G	100S30-2117G	100S30-2118G	100S30-2119G
	10	100S30-2116H	100S30-2117H	100S30-2118H	100S30-2119H
	15	100S30-2116J	100S30-2117J		
750	2,5	100S30-2216D	100S30-2217D	100S30-2218D	100S30-2219D
	5	100S30-2216F	100S30-2217F	100S30-2218F	100S30-2219F
	7,5	100S30-2216G	100S30-2217G	100S30-2218G	100S30-2219G
	10	100S30-2216H	100S30-2217H	100S30-2218H	100S30-2219H
	15	100S30-2216J	100S30-2217J		
750	2,5	100S30-2316D	100S30-2317D	100S30-2318D	100S30-2319D
	5	100S30-2316F	100S30-2317F	100S30-2318F	100S30-2319F
	7,5	100S30-2316G	100S30-2317G	100S30-2318G	100S30-2319G
	10	100S30-2316H	100S30-2317H	100S30-2318H	100S30-2319H
	15	100S30-2316J	100S30-2317J		

		Art.-no.
	Snap-on mounting	-
	Sealed shutter, type E	10059044