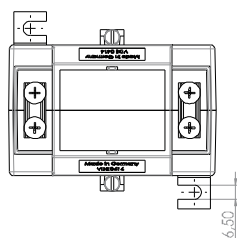
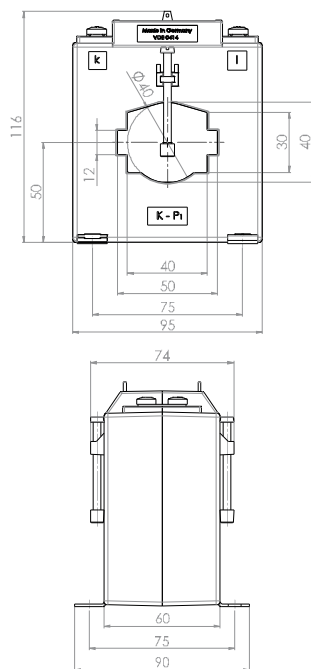


SASK 51.6

Protection plug-in current transformer



Bus bar 1 50 x 12 mm
 Bus bar 2 40 x 30 mm
 Round conductor 40 mm
 Transformer width 95 mm
 Height 116 mm
 Depth 74 mm



Primary current [A]	Burden [VA]	Secondary current [A] / Class			
		5 A Cl. 5P5 Art.-no.	5 A Cl. 10P5 Art.-no.	5 A Cl. 5P10 Art.-no.	5 A Cl. 10P10 Art.-no.
150	1,5	100S37-1606C	100S37-1607C	100S37-1608C	100S37-1609C
	2,5	100S37-1606D	100S37-1607D		100S37-1609D
	5	100S37-1606F	100S37-1607F		
200	1,5	100S37-1706C	100S37-1707C	100S37-1708C	100S37-1709C
	2,5	100S37-1706D	100S37-1707D	100S37-1708D	100S37-1709D
	5	100S37-1706F	100S37-1707F		
250	2,5	100S37-1806D	100S37-1807D	100S37-1808D	100S37-1809D
	5	100S37-1806F	100S37-1807F		
	7,5		100S37-1807G		
300	2,5	100S37-1906D	100S37-1907D	100S37-1908D	100S37-1909D
	5	100S37-1906F	100S37-1907F		
	7,5	100S37-1906G	100S37-1907G		
	10		100S37-1907H		
400	2,5	100S37-2006D	100S37-2007D	100S37-2008D	100S37-2009D
	5	100S37-2006F	100S37-2007F	100S37-2008F	100S37-2009F
	7,5	100S37-2006G	100S37-2007G		
	10	100S37-2006H	100S37-2007H		
500	2,5	100S37-2106D	100S37-2107D	100S37-2108D	100S37-2109D
	5	100S37-2106F	100S37-2107F	100S37-2108F	100S37-2109F
	7,5	100S37-2106G	100S37-2107G		
	10	100S37-2106H	100S37-2107H		
600	2,5	100S37-2206D	100S37-2207D	100S37-2208D	100S37-2209D
	5	100S37-2206F	100S37-2207F	100S37-2208F	100S37-2209F
	7,5	100S37-2206G	100S37-2207G		
	10	100S37-2206H	100S37-2207H		
	15	100S37-2206J	100S37-2207J		
750	2,5	100S37-2306D	100S37-2307D	100S37-2308D	100S37-2309D
	5	100S37-2306F	100S37-2307F	100S37-2308F	100S37-2309F
	7,5	100S37-2306G	100S37-2307G	100S37-2308G	100S37-2309G
	10	100S37-2306H	100S37-2307H		
	15	100S37-2306J	100S37-2307J		
1000	2,5	100S37-2506D	100S37-2507D	100S37-2508D	100S37-2509D
	5	100S37-2506F	100S37-2507F	100S37-2508F	100S37-2509F
	7,5	100S37-2506G	100S37-2507G	100S37-2508G	100S37-2509G
	10	100S37-2506H	100S37-2507H		
	15	100S37-2506J	100S37-2507J		

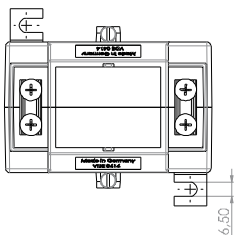
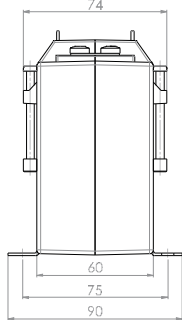
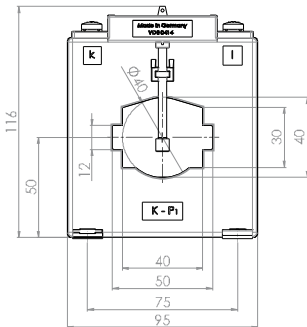
		Art.-no.
	Snap-on mounting	-
	Sealed shutter, type E	10059044

SASK 51.6

Protection plug-in current transformer



Bus bar 1 50 x 12 mm
 Bus bar 2 40 x 30 mm
 Round conductor 40 mm
 Transformer width 95 mm
 Height 116 mm
 Depth 74 mm



Primary current [A]	Burden [VA]	Secondary current [A] / Class			
		1 A Cl. 5P5 Art.-no.	1 A Cl. 10P5 Art.-no.	1 A Cl. 5P10 Art.-no.	1 A Cl. 10P10 Art.-no.
150	1,5	100S37-1616C	100S37-1617C	100S37-1618C	100S37-1619C
	2,5	100S37-1616D	100S37-1617D		100S37-1619D
	5	100S37-1616F	100S37-1617F		
200	1,5	100S37-1716C	100S37-1717C	100S37-1718C	100S37-1719C
	2,5	100S37-1716D	100S37-1717D	100S37-1718D	100S37-1719D
	5	100S37-1716F	100S37-1717F		
250	2,5	100S37-1816D	100S37-1817D	100S37-1818D	100S37-1819D
	5	100S37-1816F	100S37-1817F		
	7,5		100S37-1817G		
300	2,5	100S37-1916D	100S37-1917D	100S37-1918D	100S37-1919D
	5	100S37-1916F	100S37-1917F		
	7,5		100S37-1917G		
	10		100S37-1917H		
400	2,5	100S37-2016D	100S37-2017D	100S37-2018D	100S37-2019D
	5	100S37-2016F	100S37-2017F	100S37-2018F	100S37-2019F
	7,5	100S37-2016G	100S37-2017G		
	10	100S37-2016H	100S37-2017H		
500	2,5	100S37-2116D	100S37-2117D	100S37-2118D	100S37-2119D
	5	100S37-2116F	100S37-2117F	100S37-2118F	100S37-2119F
	7,5	100S37-2116G	100S37-2117G		
	10	100S37-2116H	100S37-2117H		
600	15		100S37-2117J		
	2,5	100S37-2216D	100S37-2217D	100S37-2218D	100S37-2219D
	5	100S37-2216F	100S37-2217F	100S37-2218F	100S37-2219F
	7,5	100S37-2216G	100S37-2217G		
	10	100S37-2216H	100S37-2217H		
750	15	100S37-2216J	100S37-2217J		
	2,5	100S37-2316D	100S37-2317D	100S37-2318D	100S37-2319D
	5	100S37-2316F	100S37-2317F	100S37-2318F	100S37-2319F
	7,5	100S37-2316G	100S37-2317G		
	10	100S37-2316H	100S37-2317H		
1000	15	100S37-2316J	100S37-2317J		
	2,5	100S37-2516D	100S37-2517D	100S37-2518D	100S37-2519D
	5	100S37-2516F	100S37-2517F	100S37-2518F	100S37-2519F
	7,5	100S37-2516G	100S37-2517G	100S37-2518G	100S37-2519G
	10	100S37-2516H	100S37-2517H		
	15	100S37-2516J	100S37-2517J		

		Art.-no.
	Snap-on mounting	-
	Sealed shutter, type E	10059044