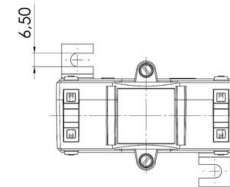
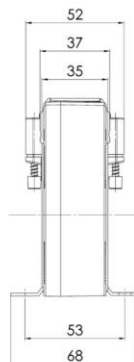
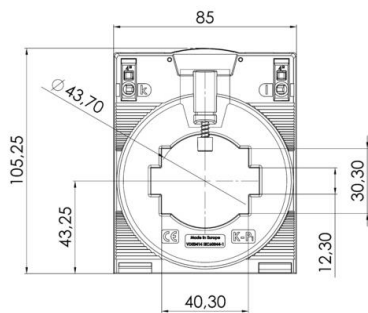


## CTB 51.35 Plug-in current transformer



### Dimensions:

Bus bar 1: 50 x 12 mm  
Bus bar 2: 40 x 30 mm  
Round conductor: 43,7 mm  
Width: 85 mm  
Height: 105,25 mm  
Depth: 52 mm



### Technical details:

Therm. nominal continuous current  $I_{cth}$ :  $1,2 \times I_N$   
Therm. nominal short-time current  $I_{th}$ :  $60 \times I_N$ , 1 sec.

Max. operating voltage  $U_m$ : 1.2kV

Isolation test voltage: 6 kV,  $U_{eff}$ , 50 Hz, 1 min.

Nominal rated frequency: 50 Hz

Isolation class: E

UL-zertifiziert - Certificate Number - 20100426-E336996

### Further information:

Use of spring loaded terminals for connection to the secondary terminals:

Over-current limiting factor: See rating plate

Working temperature range:  $-5^\circ\text{C} < T < +50^\circ\text{C}$

Storage temperature range:  $-25^\circ\text{C} < T < +50^\circ\text{C}$

Package quantity: 1 pcs.

Custom tariff number: 85043129

### GMW Contact:

[www.g-mw.de](http://www.g-mw.de)  
[info@g-mw.de](mailto:info@g-mw.de)

Phone: +49/9103 7129-0  
Fax: +49/9103 7129-205/207