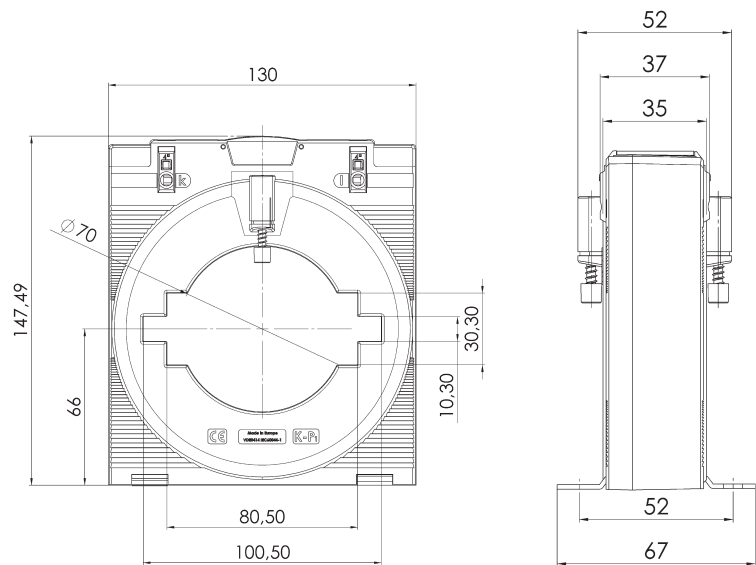


XCTB 101.35

Plug-in current transformers



Dimensions:

Bus bar 1: 100 x 10 mm
 Bus bar 2: 80 x 30 mm
 Circular conductor: 70 mm
 Installation width: 130 mm
 Installation height: 147.49 mm
 Overall installation depth: 52 mm

Technical data:

Therm. nominal continuous current I_{cth} : $1.2 \times I_N$
 Therm. nominal short-time current I_{th} : $60 \times I_N$, 1 s (max. 100 kA)
 Max. operating voltage U_m : 1.2 kV, U_{rms}
 Insulation test voltage: 6 kV, U_{rms} , 50 Hz, 1 min
Lightning impulse voltage: 12 kV, 1.2/50 μ s
 Nominal frequency: 50/60 Hz
 Technical standards applied: DIN EN 61869, Part 1 + 2
 Harmonic measurements with load 0.2 VA – Sr pf1
 Measuring accuracy up to 20 kHz: $\epsilon \leq 2\% \mid \Delta\phi \leq 2^\circ @ 0.05\text{--}10 \text{ kHz}$
 $\epsilon \leq 3\% \mid \Delta\phi \leq 3^\circ @ 10\text{--}20 \text{ kHz}$

Ordering table for XCTB 101.35 with secondary current 5 A

Secondary current		5 A				
Primary current [A]	Rated power [VA]	Accuracy class				
		1	0.5	0.5S	0.2	0.2S
		Order no.	Order no.	Order no.	Order no.	Order no.
400	2.5		10051-0508			
	5	10051-0501				
500	2.5		10051-0509			
	5	10051-0502	10051-0510			
600	2.5		10051-0511	10051-0523		
	5		10051-0512			
750	2.5		10051-0513	10051-0524		
	5	10051-0503	10051-0514	10051-0525		
800	2.5		10051-0515	10051-0526		
	5	10051-0504	10051-0516	10051-0527		
1000	5	10051-0505	10051-0517	10051-0528	10051-0534	
1200	5	10051-0506	10051-0518	10051-0529	10051-0535	10051-0540
1250	5	10051-0507	10051-0519	10051-0530	10051-0536	10051-0541
1500	5		10051-0520	10051-0531	10051-0537	10051-0542
1600	5		10051-0521	10051-0532	10051-0538	10051-0543
2000	5		10051-0522	10051-0533	10051-0539	10051-0544

Ordering table for XCTB 101.35 with secondary current 1 A

Secondary current		1 A				
Primary current [A]	Rated power [VA]	Accuracy class				
		1	0.5	0.5S	0.2	0.2S
		Order no.	Order no.	Order no.	Order no.	Order no.
400	2.5		10051-2508			
	5	10051-2501				
500	2.5		10051-2509	10051-2523		
	5	10051-2502	10051-2510			
600	2.5		10051-2511	10051-2524		
	5		10051-2512	10051-2525		
750	2.5		10051-2513	10051-2526		
	5	10051-2503	10051-2514	10051-2527		
800	2.5		10051-2515	10051-2528	10051-2536	
	5	10051-2504	10051-2516	10051-2529		
1000	5	10051-2505	10051-2517	10051-2530	10051-2537	10051-2543
1200	5	10051-2506	10051-2518	10051-2531	10051-2538	10051-2544
1250	5	10051-2507	10051-2519	10051-2532	10051-2539	10051-2545
1500	5		10051-2520	10051-2533	10051-2540	10051-2546
1600	5		10051-2521	10051-2534	10051-2541	10051-2547
2000	5		10051-2522	512535	10051-2542	10051-2548

Accessories

Quick-fix (order no.: 10055021)



Cover sealing (order no.: 10059059)

