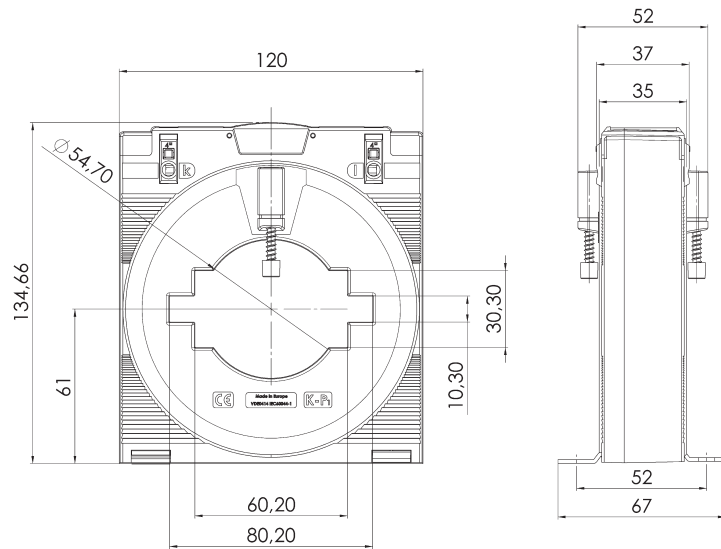


XCTB 81.35

Plug-in current transformers



Dimensions:

Bus bar 1: 80 x 10 mm
 Bus bar 2: 60 x 30 mm
 Circular conductor: 54.7 mm
 Installation width: 120 mm
 Installation height: 134.66 mm
 Overall installation depth: 52 mm

Technical data:

Therm. nominal continuous current I_{cth} : $1.2 \times I_N$
 Therm. nominal short-time current I_{th} : $60 \times I_N$, 1 s (max. 100 kA)
 Max. operating voltage U_m : 1.2 kV, U_{rms}
 Insulation test voltage: 6 kV, U_{rms} , 50 Hz, 1 min
Lightning impulse voltage: 12 kV, 1.2/50 μ s
 Nominal frequency: 50/60 Hz
 Technical standards applied: DIN EN 61869, Part 1 + 2
 Harmonic measurements with load 0.2 VA – Sr pf1
 Measuring accuracy up to 20 kHz: $\varepsilon \leq 2\% \mid \Delta\phi \leq 2^\circ @ 0.05\text{--}10 \text{ kHz}$
 $\varepsilon \leq 3\% \mid \Delta\phi \leq 3^\circ @ 10\text{--}20 \text{ kHz}$

Ordering table for XCTB 81.35 with secondary current 5 A

Secondary current		5 A				
Primary current [A]	Rated power [VA]	Accuracy class				
		1	0.5	0.5S	0.2	0.2S
		Order no.	Order no.	Order no.	Order no.	Order no.
400	2.5		10051-0411	10051-0426	10051-0440	
	5	10051-0401				
500	2.5		10051-0412	10051-0427	10051-0441	10051-0454
	5	10051-0402	10051-0413			
600	2.5		10051-0414	10051-0428	10051-0442	10051-0455
	5	10051-0403	10051-0415	10051-0429	10051-0443	10051-0456
750	2.5		10051-0416	10051-0430	10051-0444	10051-0457
	5	10051-0404	10051-0417	10051-0431	10051-0445	10051-0458
800	2.5		10051-0418	10051-0432	10051-0446	10051-0459
	5	10051-0405	10051-0419	10051-0433	10051-0447	10051-0460
1000	5	10051-0406	10051-0420	10051-0434	10051-0448	10051-0461
1200	5	10051-0407	10051-0421	10051-0435	10051-0449	10051-0462
1250	5	10051-0408	10051-0422	10051-0436	10051-0450	10051-0463
1500	5	10051-0409	10051-0423	10051-0437	10051-0451	10051-0464
1600	5	10051-0410	10051-0424	10051-0438	10051-0452	10051-0465
2000	5		10051-0425	10051-0439	10051-0453	10051-0466

Ordering table for XCTB 81.35 with secondary current 1 A

Secondary current		A				
Primary current [A]	Rated power [VA]	Accuracy class				
		1	0.5	0.5S	0.2	0.2S
		Order 1 no.	Order no.	Order no.	Order no.	Order no.
400	2.5		10051-2411	10051-2426	10051-2441	
	5	10051-2401				
500	2.5		10051-2412	10051-2427	10051-2442	10051-2455
	5	10051-2402	10051-2413	10051-2428		
600	2.5		10051-2414	10051-2429	10051-2443	10051-2456
	5	10051-2403	10051-2415	10051-2430	10051-2444	10051-2457
750	2.5		10051-2416	10051-2431	10051-2445	10051-2458
	5	10051-2404	10051-2417	10051-2432	10051-2446	10051-2459
800	2.5		10051-2418	10051-2433	10051-2447	10051-2460
	5	10051-2405	10051-2419	10051-2434	10051-2448	10051-2461
1000	5	10051-2406	10051-2420	10051-2435	10051-2449	10051-2462
1200	5	10051-2407	10051-2421	10051-2436	10051-2450	10051-2463
1250	5	10051-2408	10051-2422	10051-2437	10051-2451	10051-2464
1500	5	10051-2409	10051-2423	10051-2438	10051-2452	10051-2465
1600	5	10051-2410	10051-2424	10051-2439	10051-2453	10051-2466
2000	5		10051-2425	10051-2440	10051-2454	10051-2467

Accessories

Quick-fix (order no.: 10055021)



Cover sealing (order no.: 10059059)

